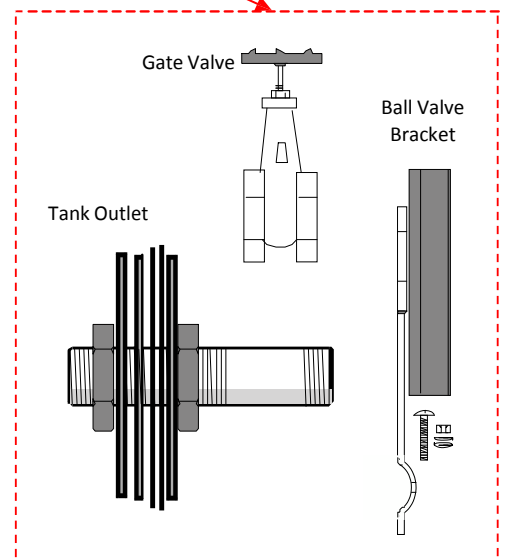
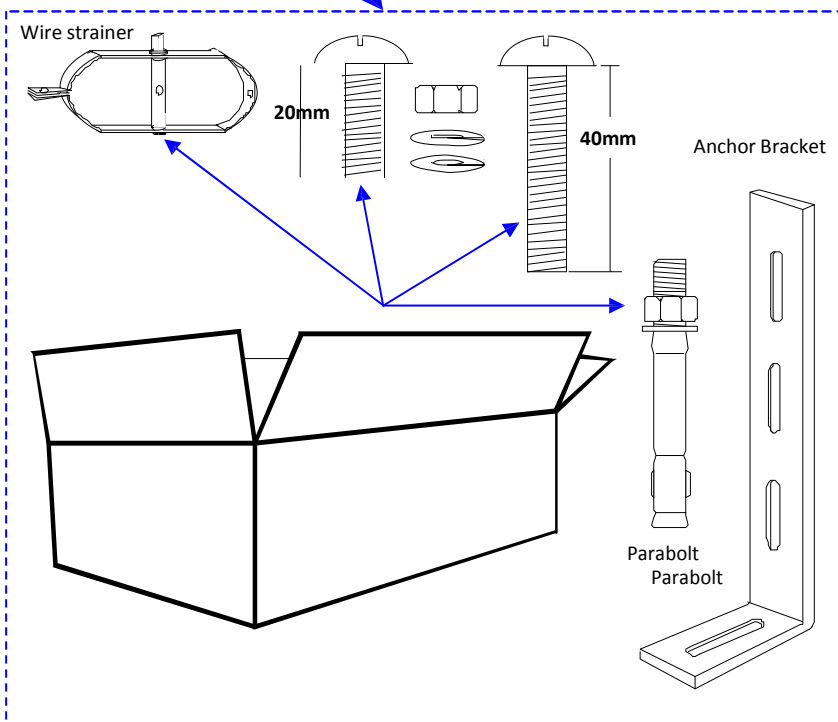
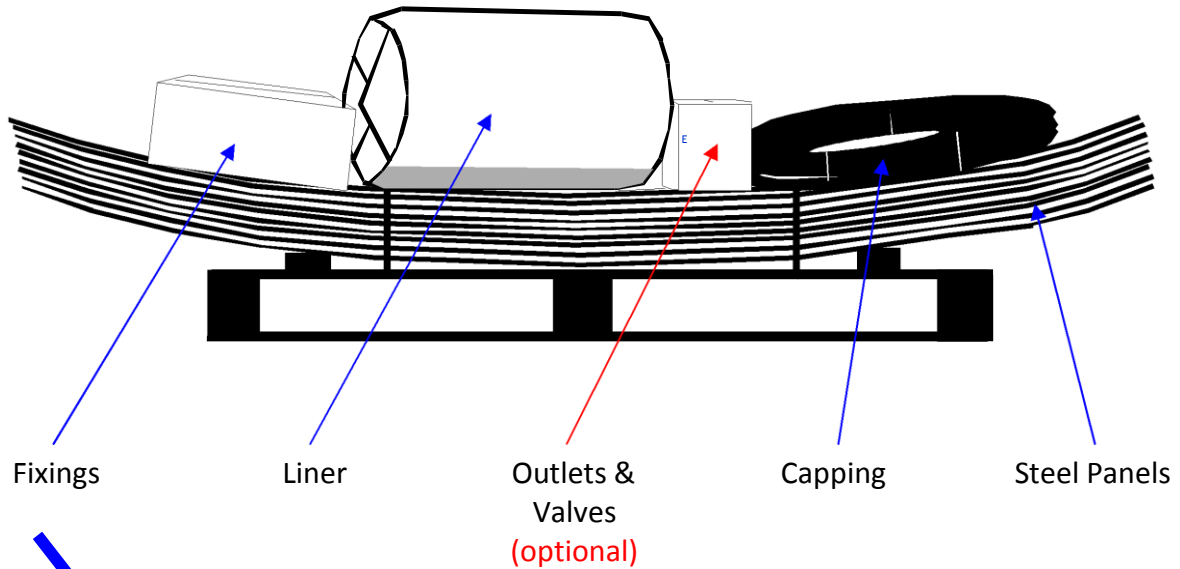




Water Storage Tanks

ON THE PALLET

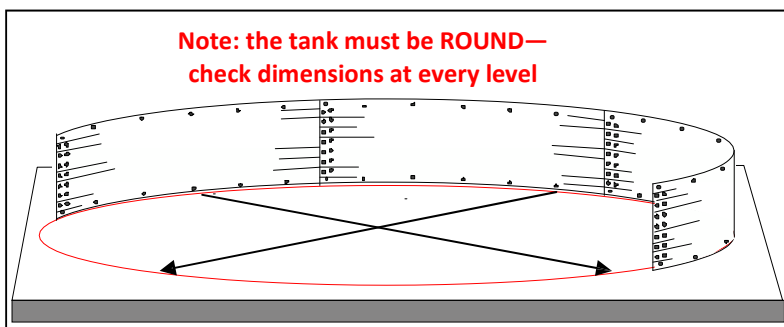
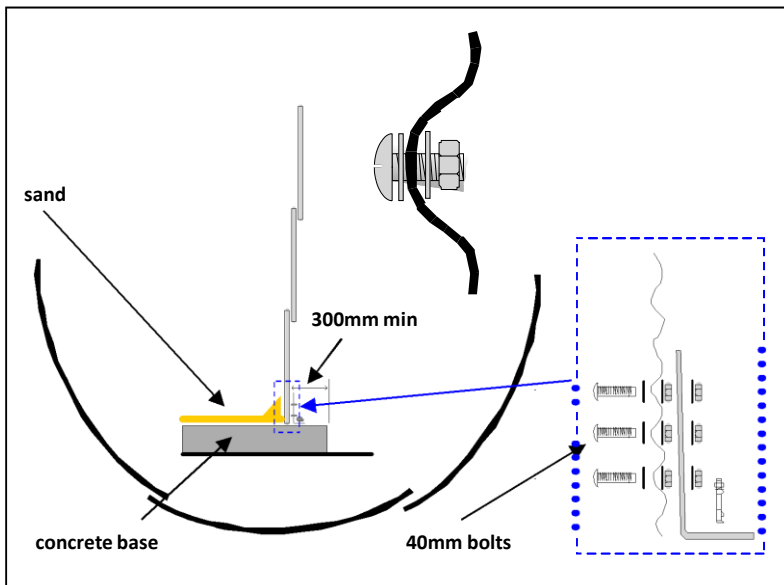
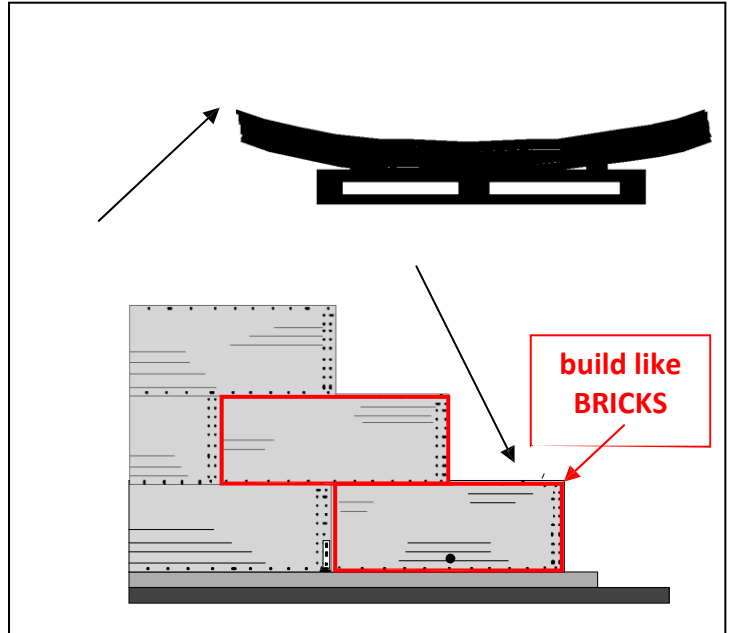
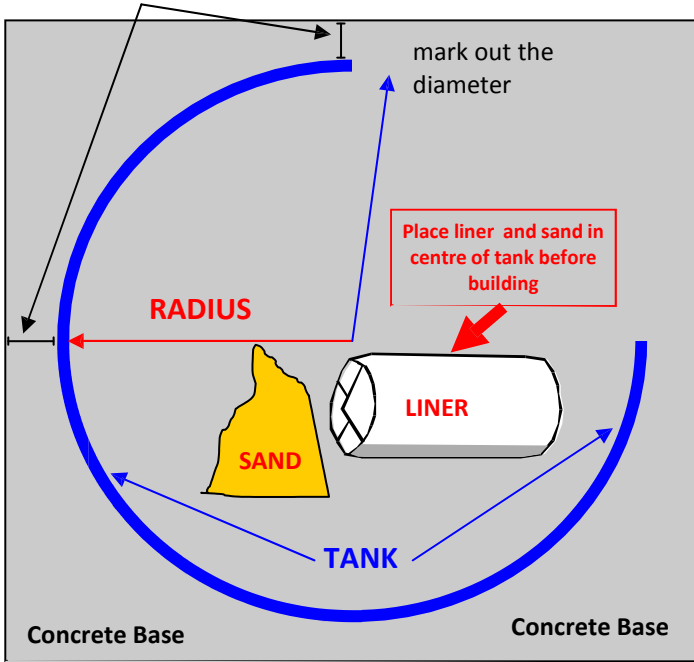


OPTIONAL OUTLETS & VALVES

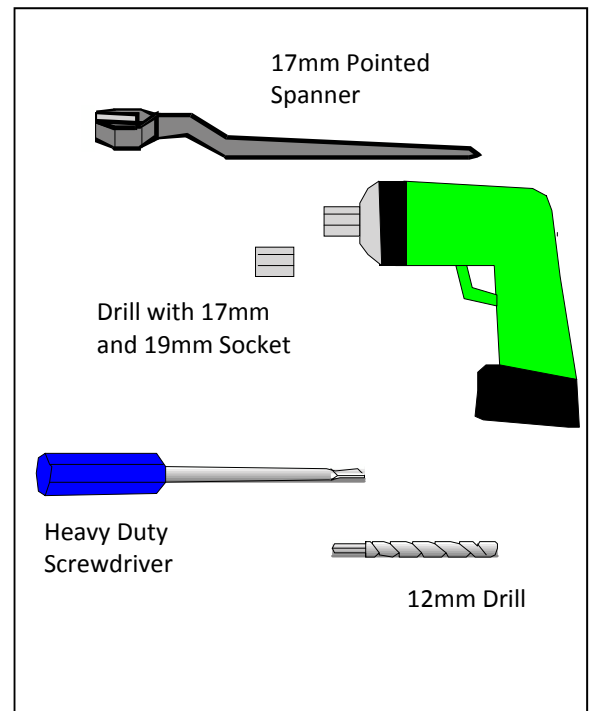
BUILDING THE TANK 1



Minimum 300mm base edge to tank



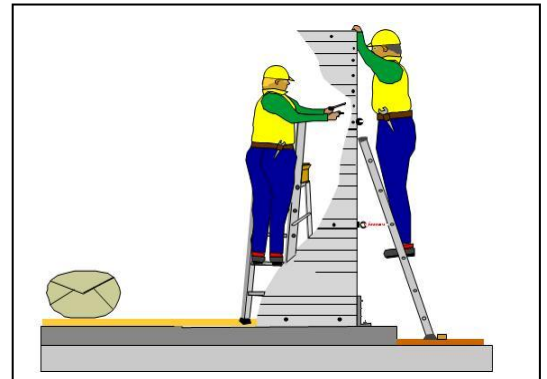
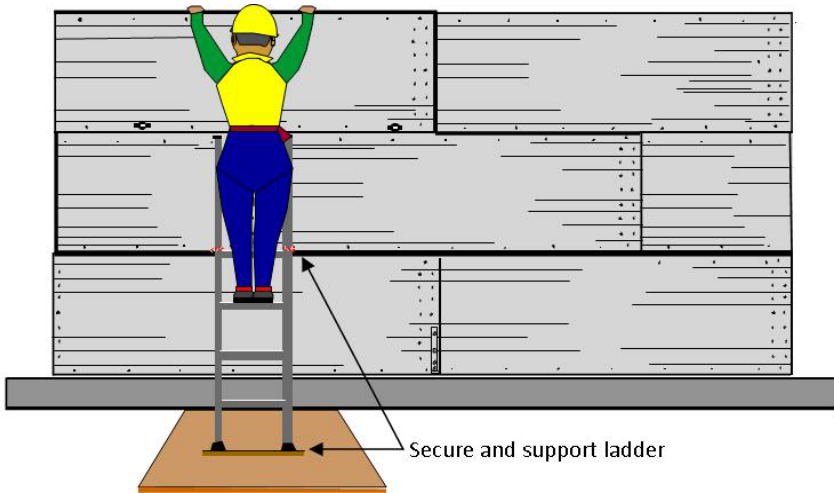
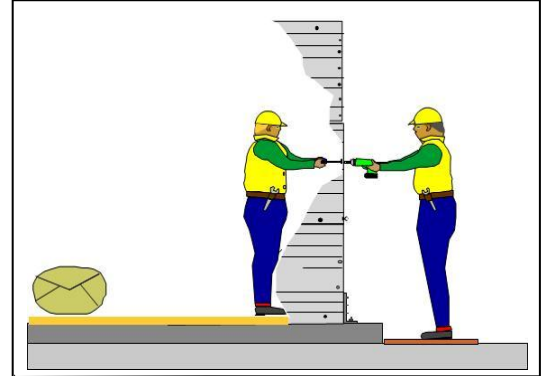
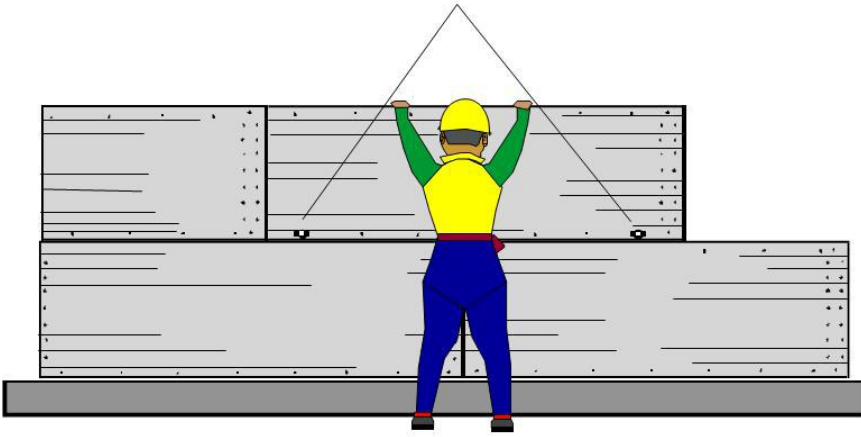
Tools Required



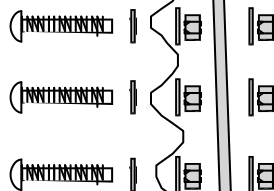
BUILDING THE TANK 2



Use podger/screwdriver to position the panels

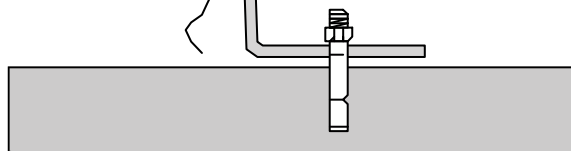


40mm bolts



NOTE

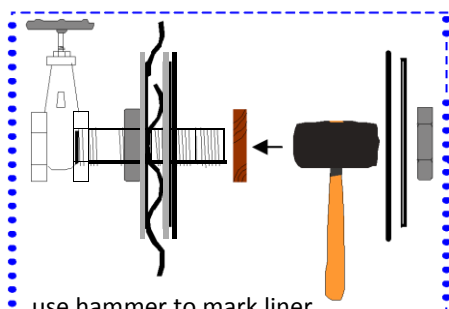
Do not fix anchor bolts until 150mm of water is in the tank



INSTALLING THE LINER

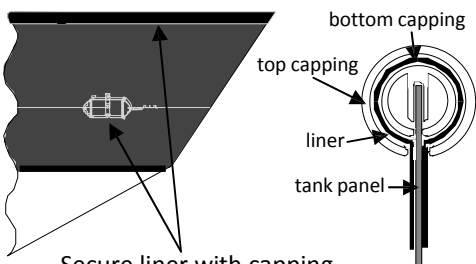
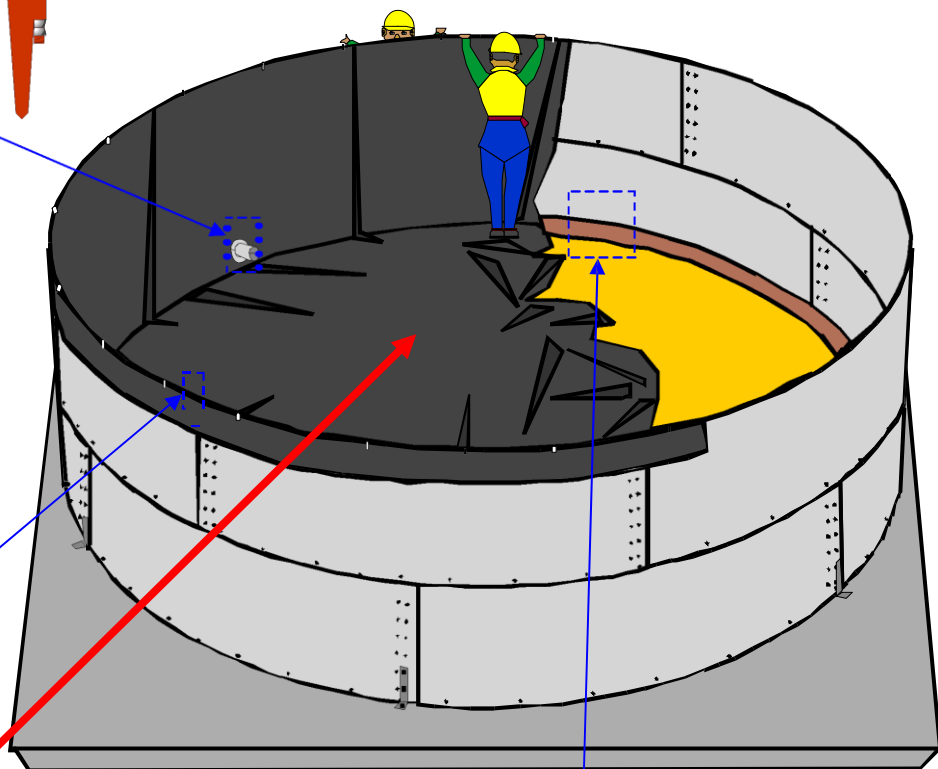


Outlet and gate valve optional



use hammer to mark liner where hole will be cut

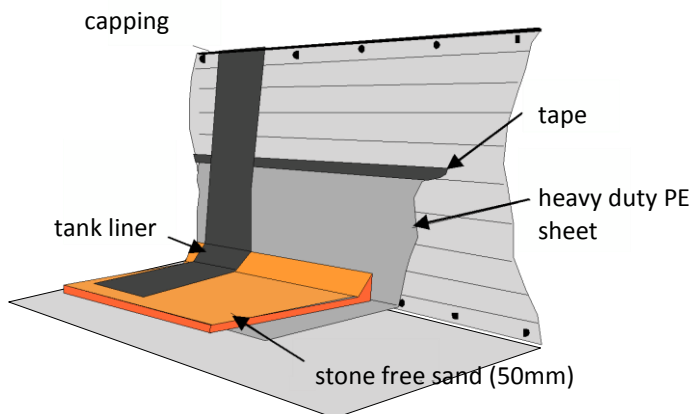
tighten outlet with adjustable spanner



Secure liner with capping and straining wire

When installing the liner.....

Seams must be vertical
Folds and overlaps are minimal
Liner is pushed into the corner when first filling with water
Overlap on the outside is consistent
Capping is applied smoothly
Straining wire is installed



Kingfisher Direct Limited

T: +44 1777 858009 F: +44 1777 858010

e: sales@kingfisherdirect.co.uk

www.kingfisherdirect.co.uk