

## DESCRIPTION

This high density polyethylene (HDPE) cap is suitable for storage, handling and transportation of chemical products or foodstuffs.

## PRODUCT

Product name	61 OV - PE		
Material	High density polyethylene (HDPE) Hostalen ACP 5531 B		
Fabrication	injection moulding		
Embossings	Manufacturers sign, Recycling symbol, Date optional: customer embossing		

## DIMENSIONS

Thread inner diameter max	59,9	± 0,3	mm
Thread inner diameter min	55,5	± 0,3	mm
thread pitch	6	± 0,3	mm
outside diameter	73,0	± 0,3	mm
Height	30,7	± 0,3	mm
Inner height to ring	21,7	± 0,3	mm
Height of the ring	6,75	± 0,1	mm
Weight	28,4	± 1,5	Gram
Closing Torque	22 - 25	Nm	at ambient temperature

## Shipping

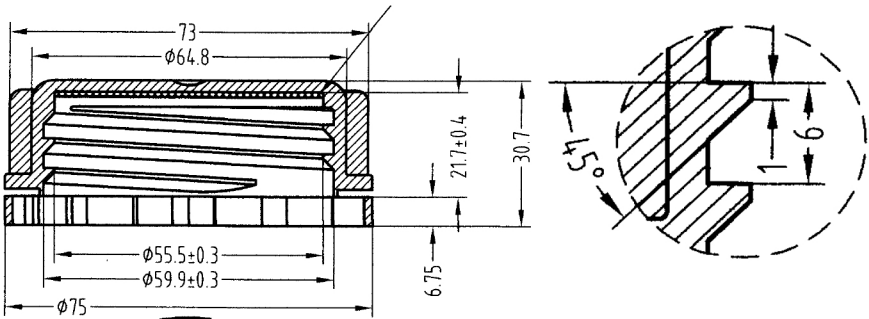
Pieces / box	450	Stück	box 40x40x60 (cm)
Pieces / Europallet	9.000	Stück	
Box Marking	Production name, Production date		

## DECLARATION OF COMPLIANCE

Generally	EU-Framework Regulation on material and articles intended for food contact: (EC) No 1935/2004
Raw Materials / Composition	Regulation (EU) No 10/2011 and amendments
Non-EU-regulations	FDA 21 CFR 177.1520

## ADDITIONAL

It is the fillers responsibility to check chemical and physical compatibility between the product filled and seal and also to find out the right closing torque in consideration of his specific frame conditions.



### Seal: EPE 300

seal rings from uncured PE-foam  
POLYCEL 300 kg/cbm  
Inner and outside diameter: +/- 0,1  
Material thickness: 3mm +/-

