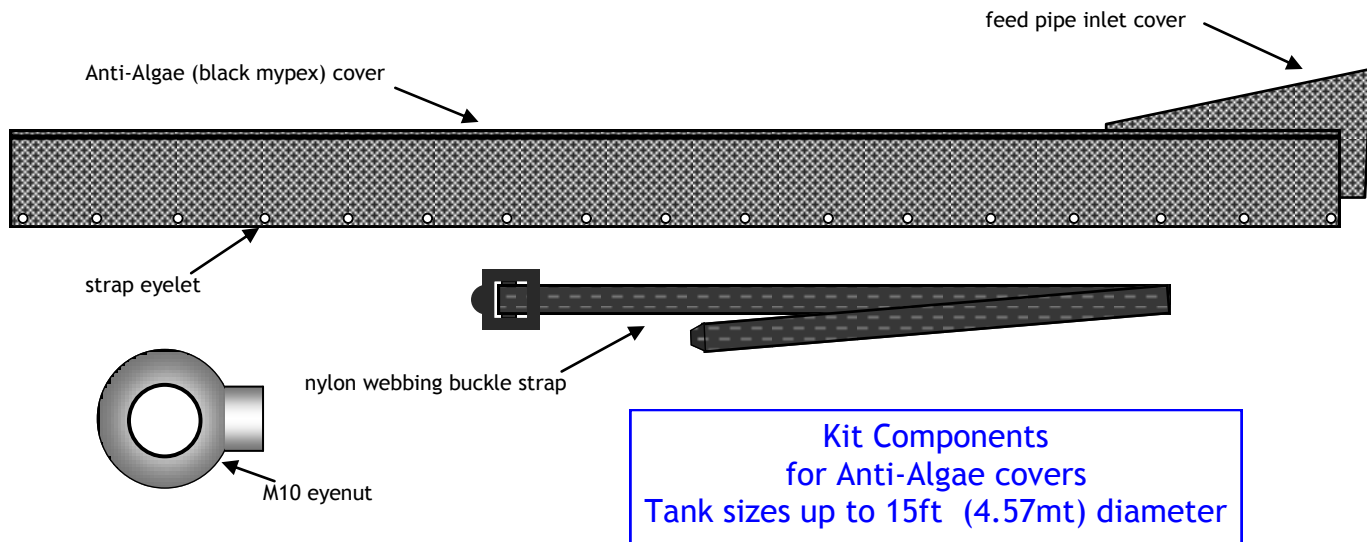
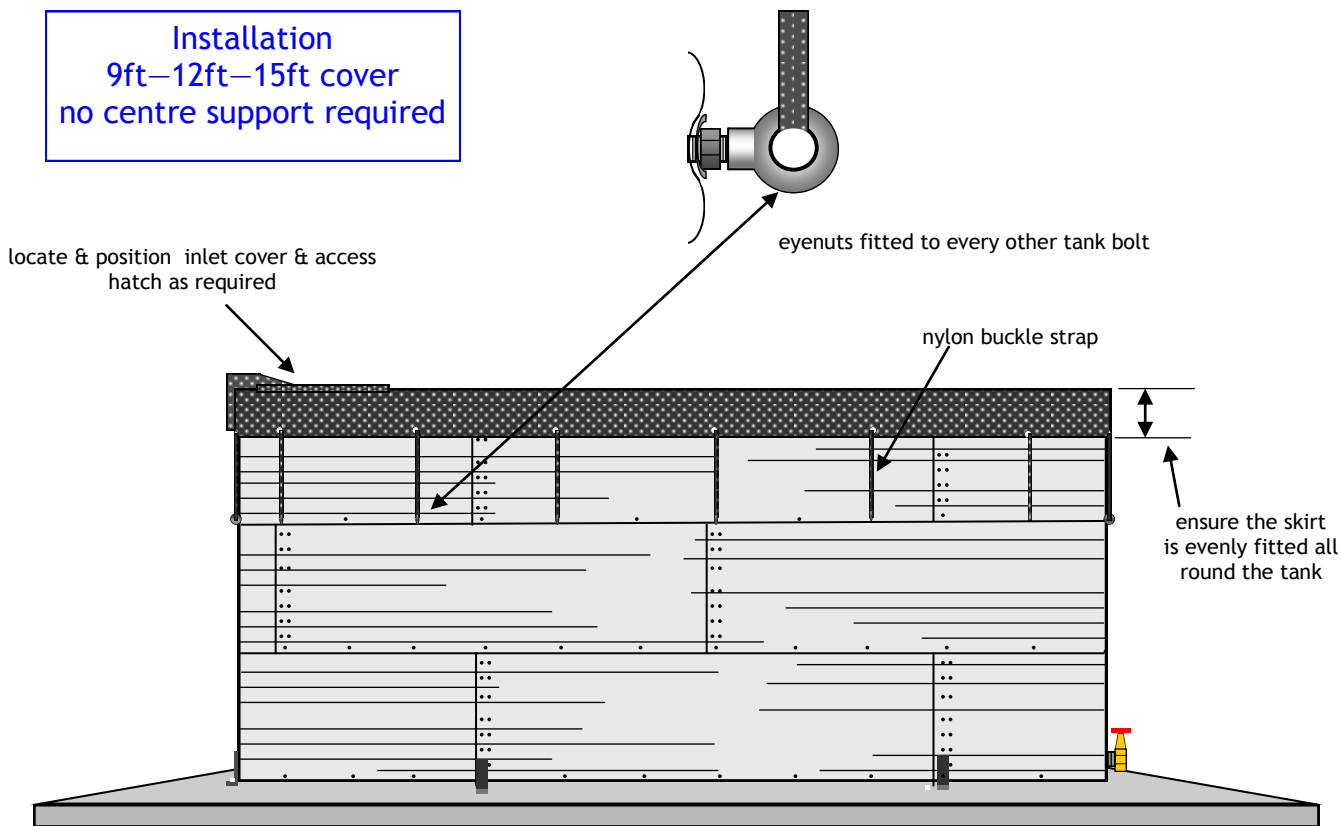




Anti-Algae Storage Tank Cover (tanks up to 15ft (4.57mt) diameter)



Installation
9ft–12ft–15ft cover
no centre support required



Anti-Algae Cover Maintenance. Covers should be checked on a regular basis
Ensure that the nylon webbing straps remain taught and are securely fixed
Check for and carefully remove, any surface debris (blocked cover will prevent rainwater from passing through the material)
Remove the cover if substantial SNOWFALL is forecast (heavy snow lying on the cover, may cause damage to the cover or tank structure)